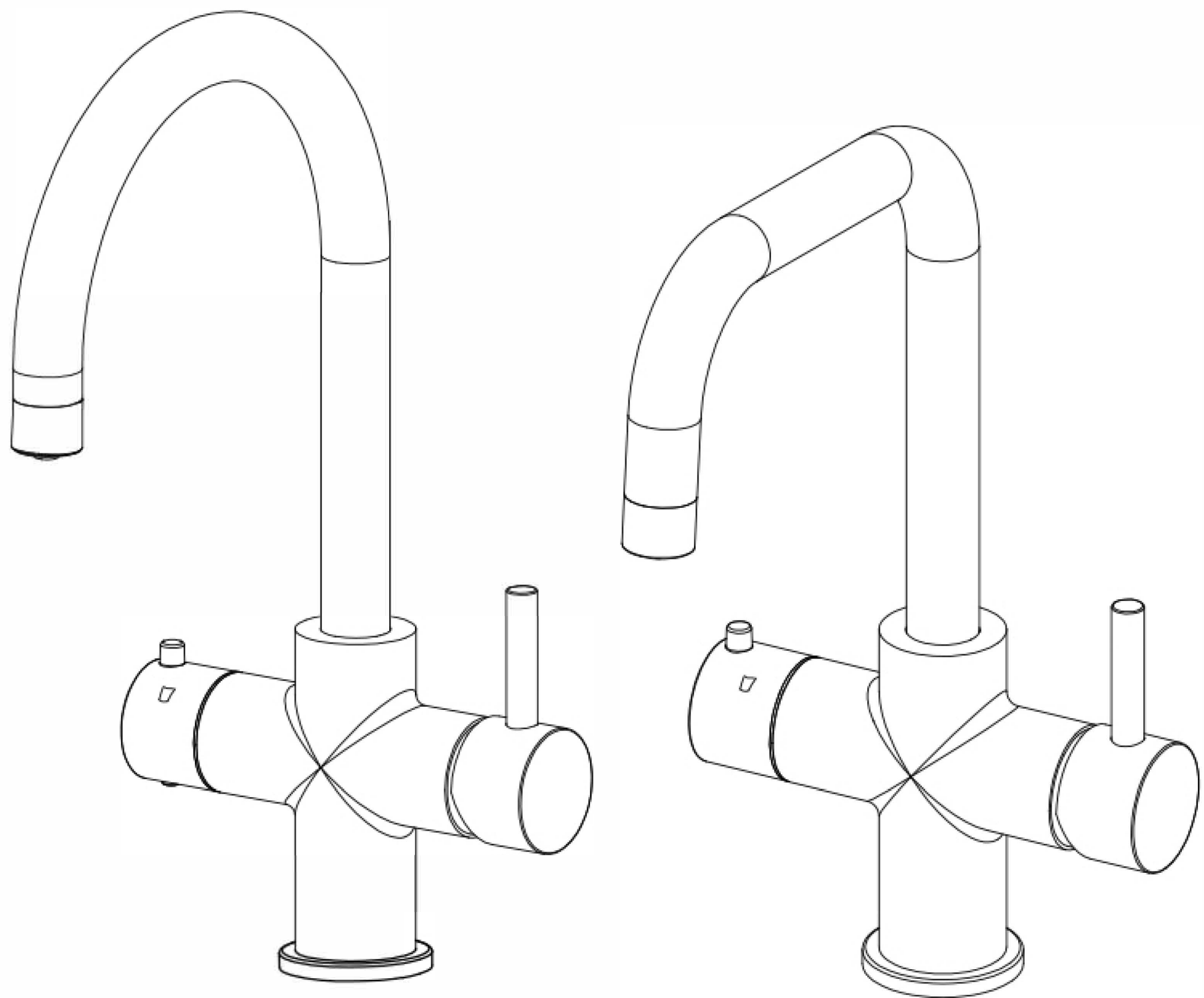
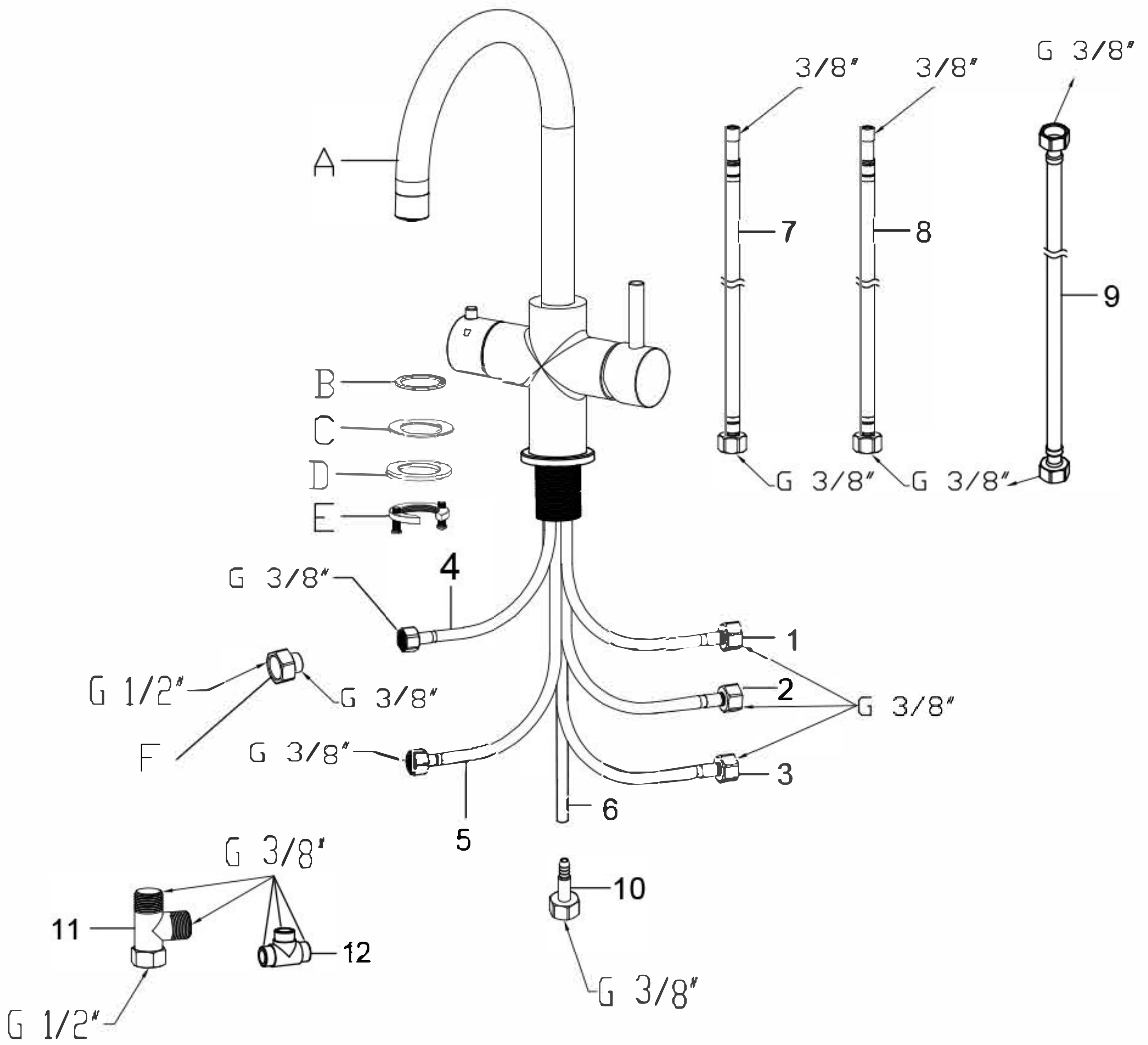


Installation Manual



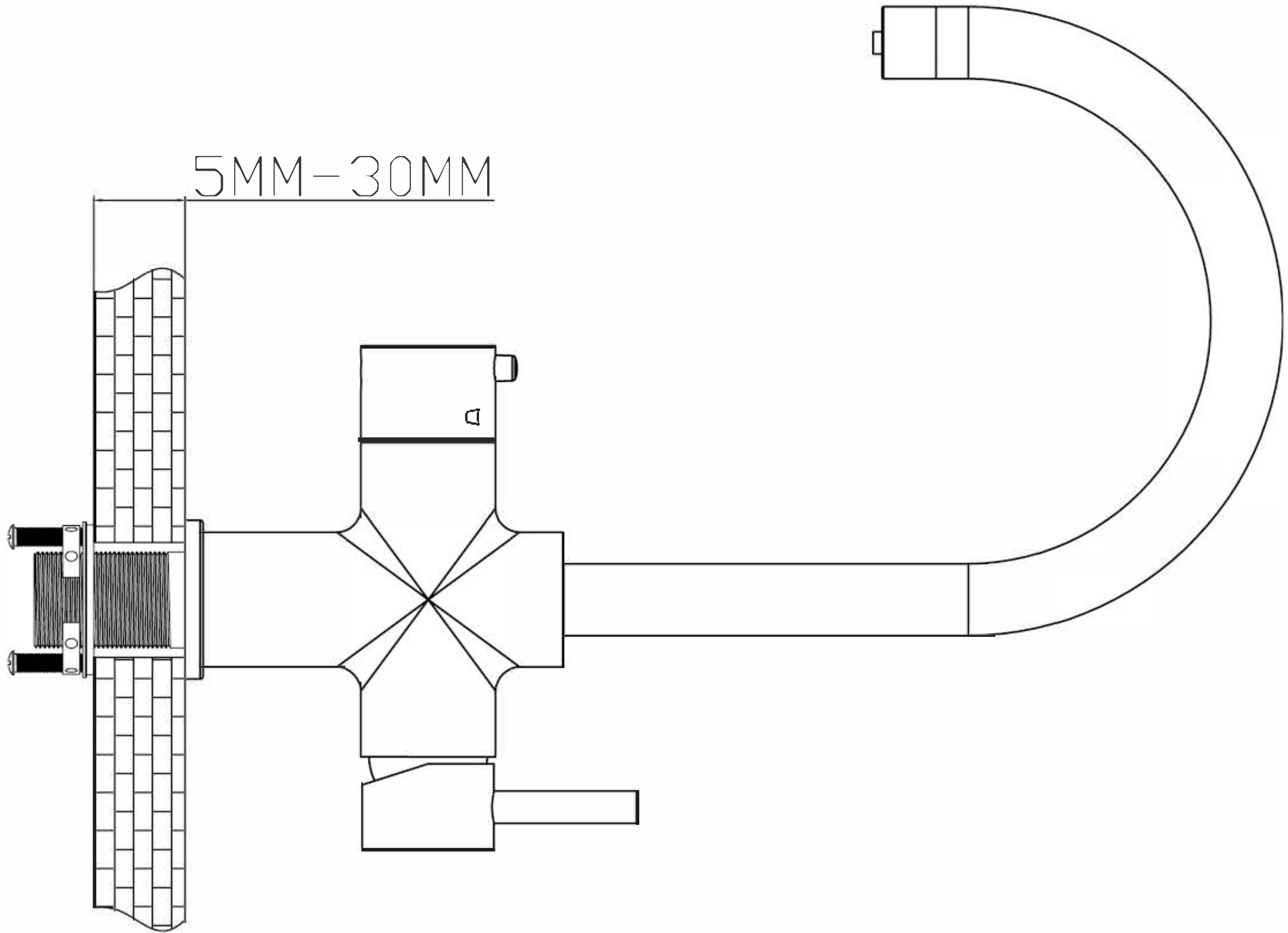
4 in 1 boiling & chilled/filtered water tap

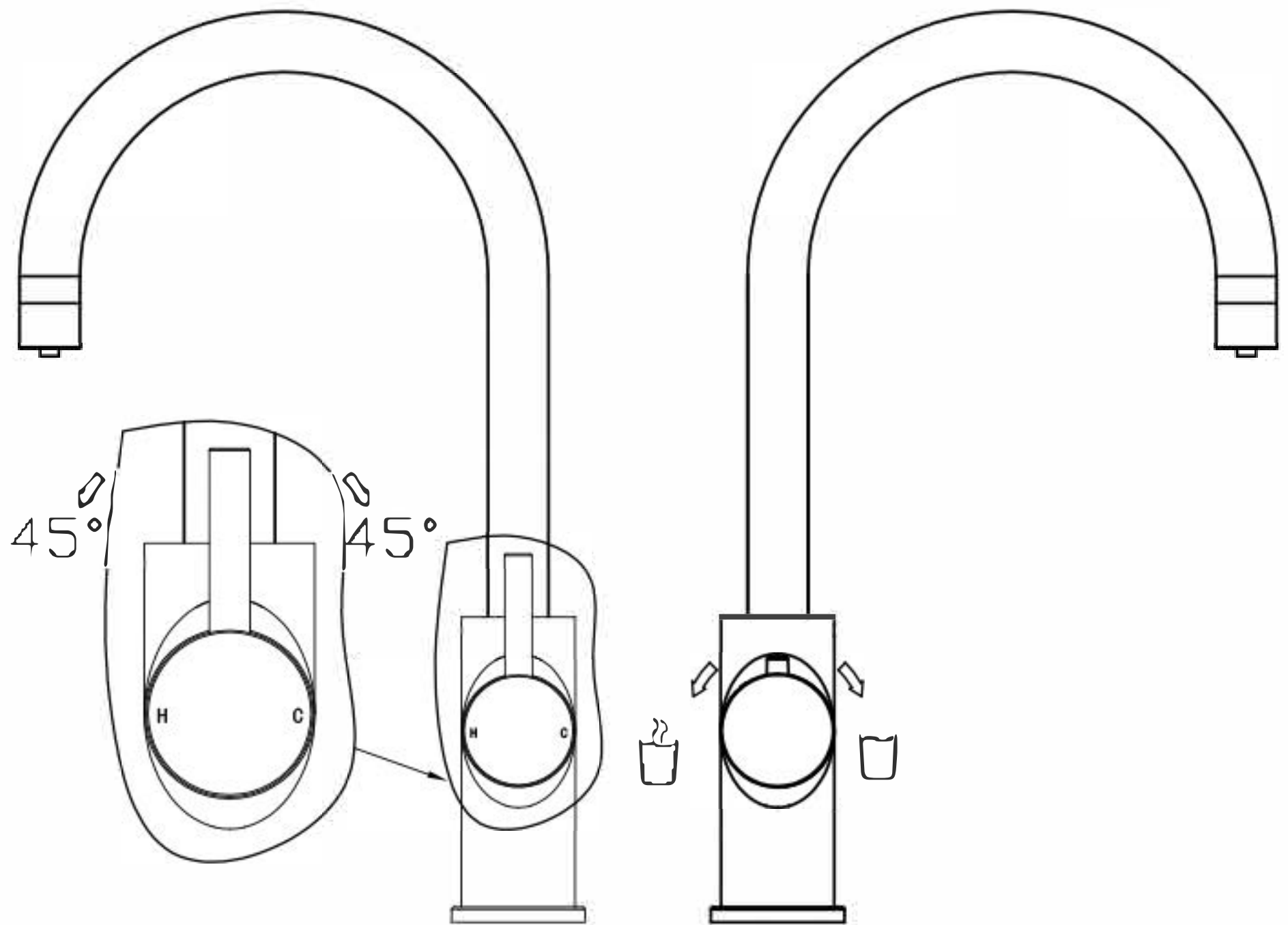
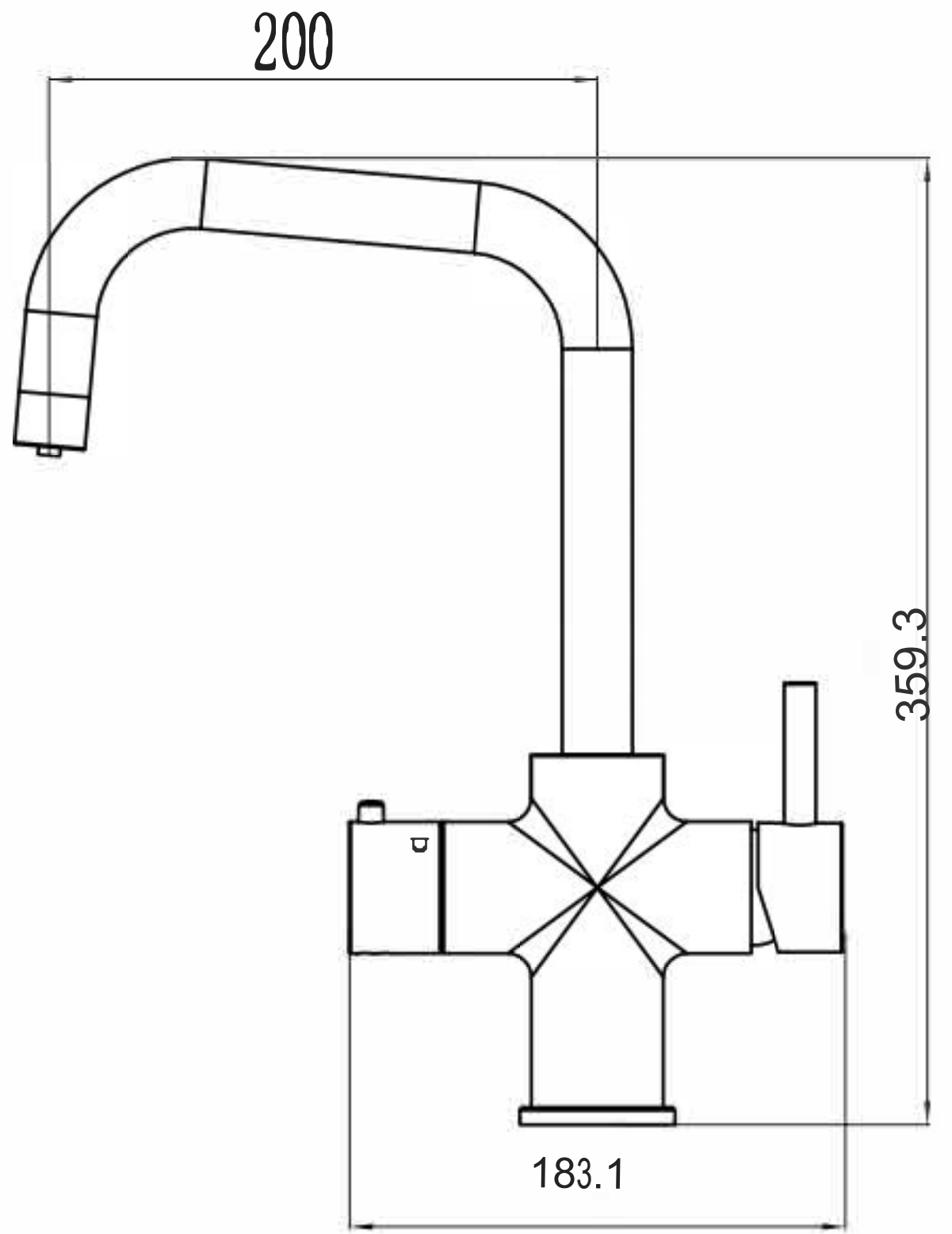
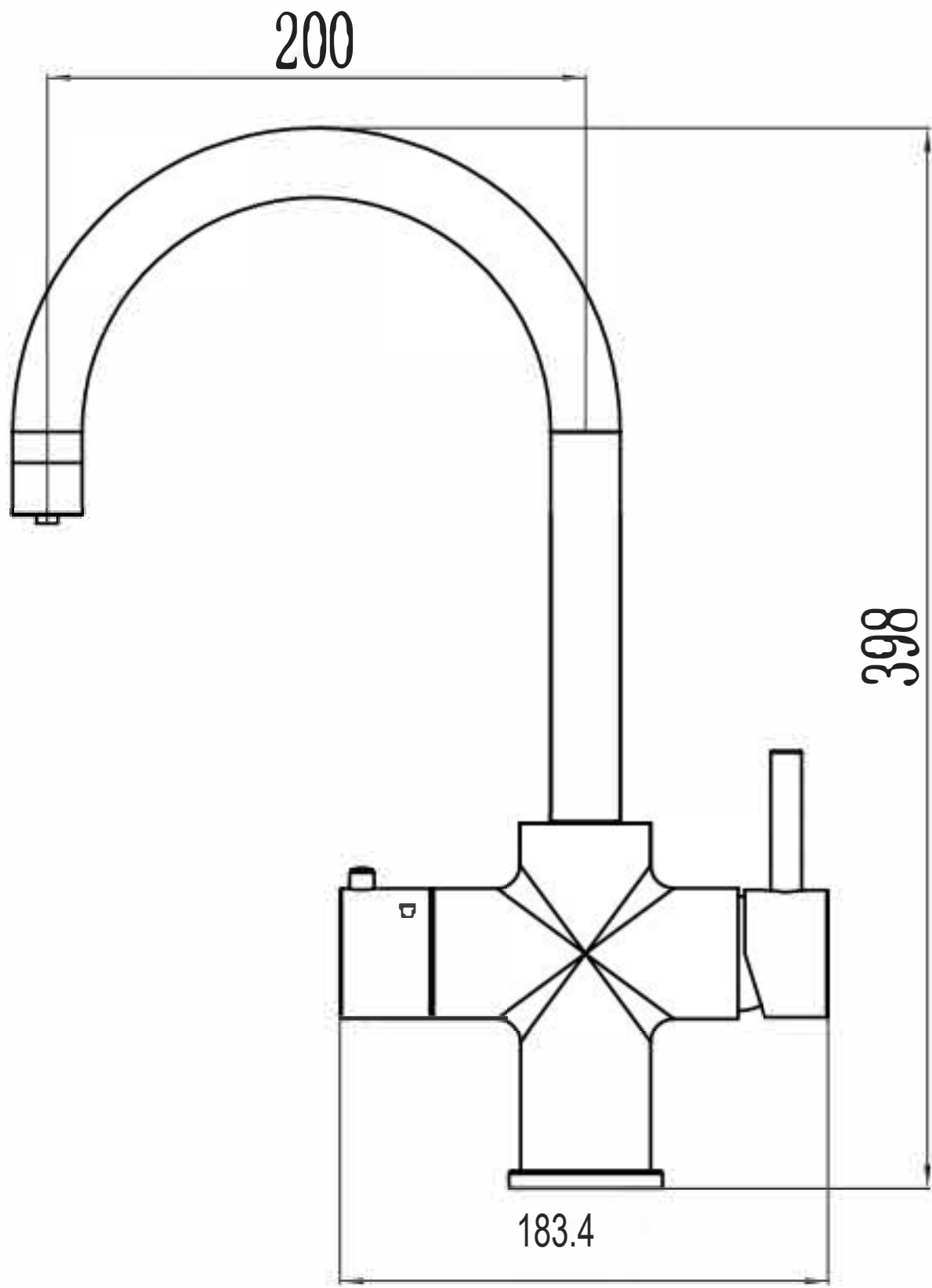


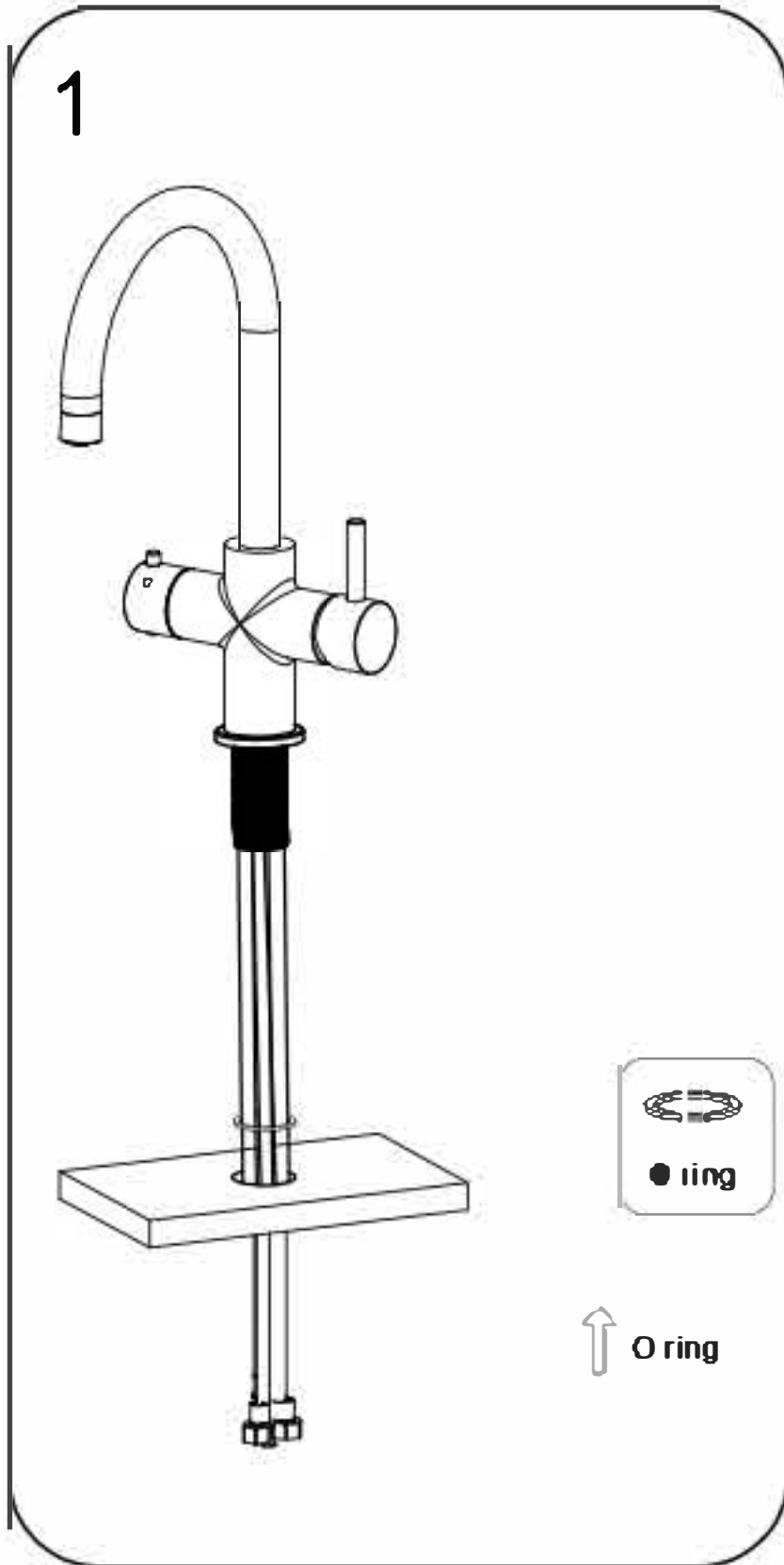
No.	Des.	Quan
A	4 in 1 tap	1
B	O-ring	1
C	rubber washer	1
D	metal washer	1
E	fixing nut	1
F	1/2" to 3/8" connector	1
1	flexible hose for cold water	1
2	flexible hose for warm water	1
3	hose for filtered water	1
4	hose for chilled water	1
5	hose for filtered water in	1
6	silicon hose for boiling water	1
7	filter inlet hose	1
8	filter outlet hose	1
9	chilled water inlet hose	1
10	silicone tube connector	1
11	3-way connector	1
12	3-way connector	1

water pressure	cold water flow	hot water flow	mixed water flow
0.5bar	4	4	5.4
1.0bar	5.8	5.8	7.7
1.5bar	7	7	9.2
2.0bar	8.2	8.2	10.8
3.0bar	10.2	10.2	13.1

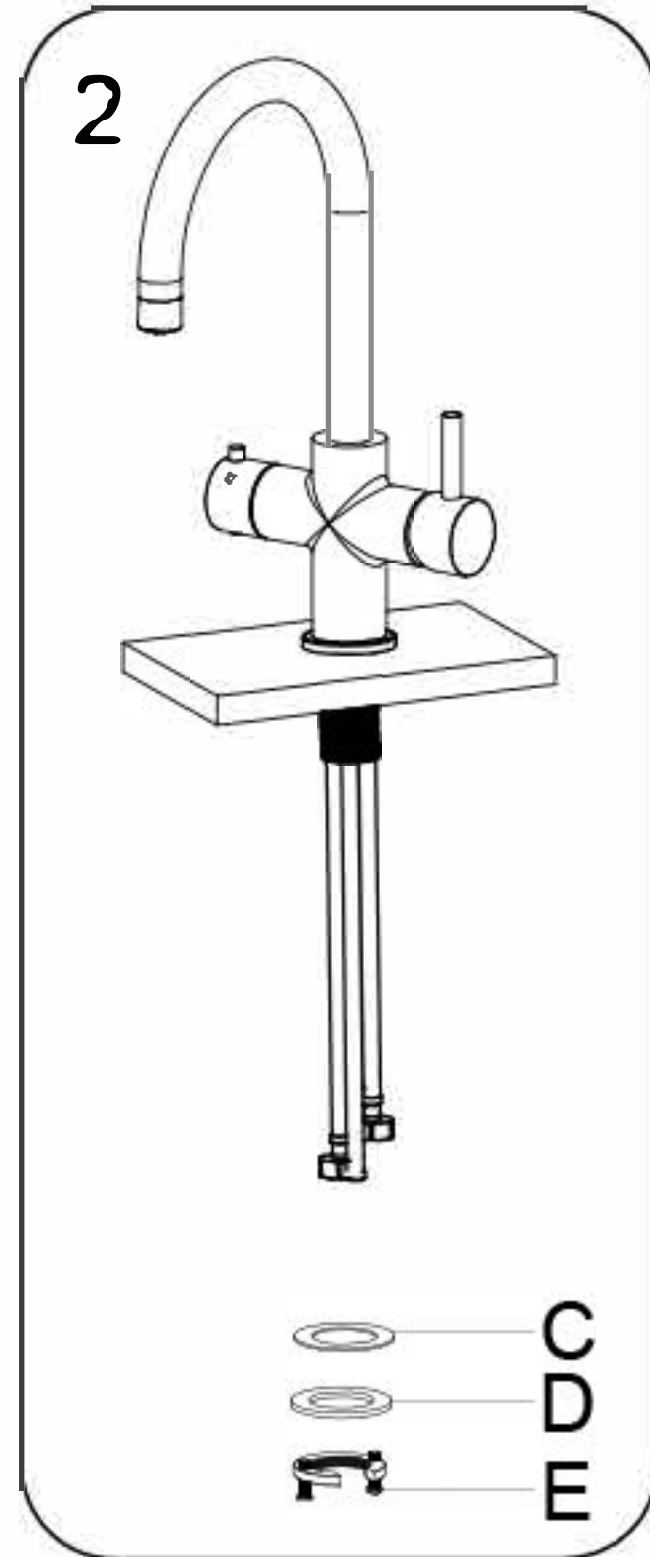
water pressure	0.5Bar	1.0Bar	1.5Bar	2.0Bar	3.0Bar
boiling water flow	0.8	0.9	1.3	1.5	1.8



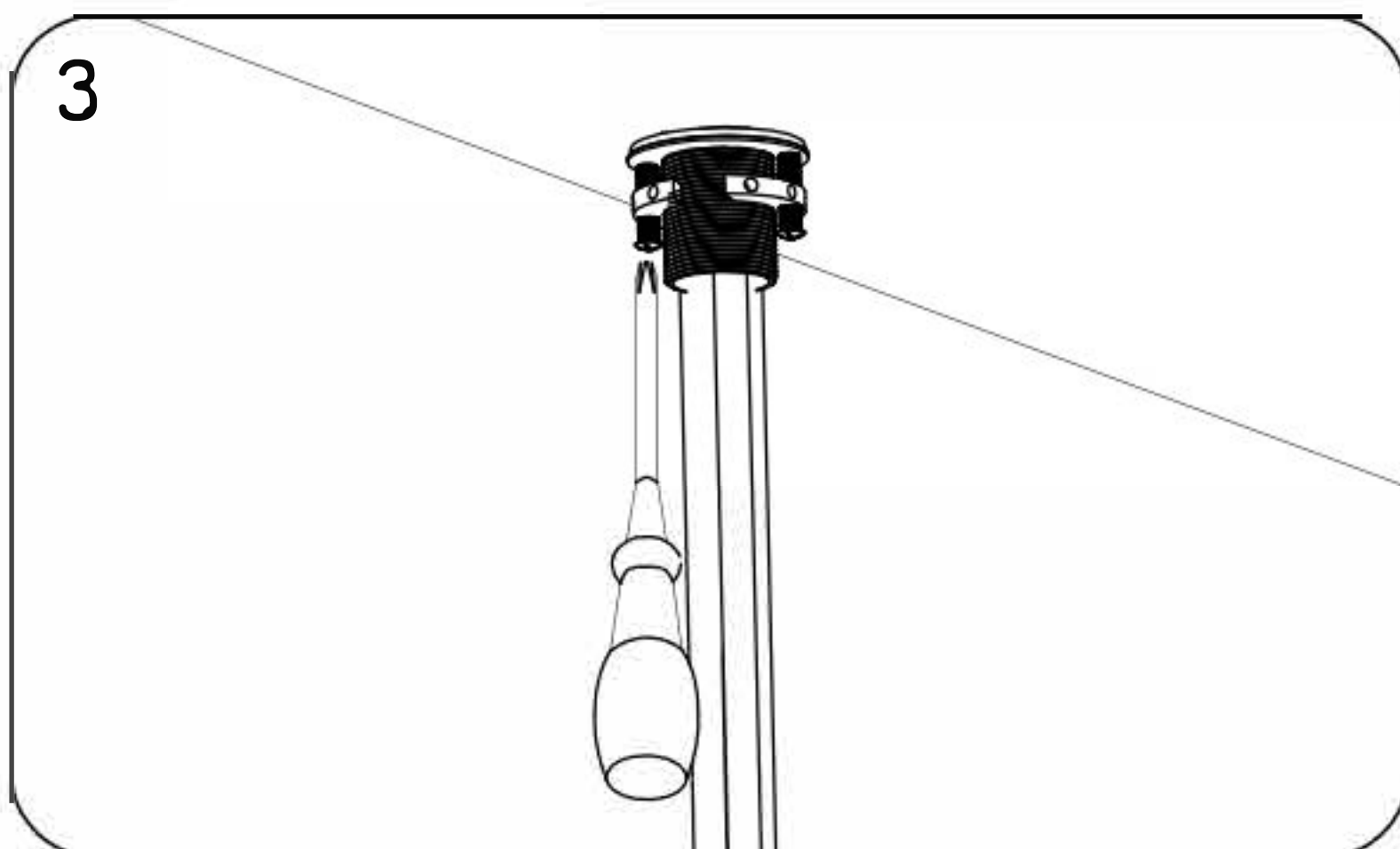




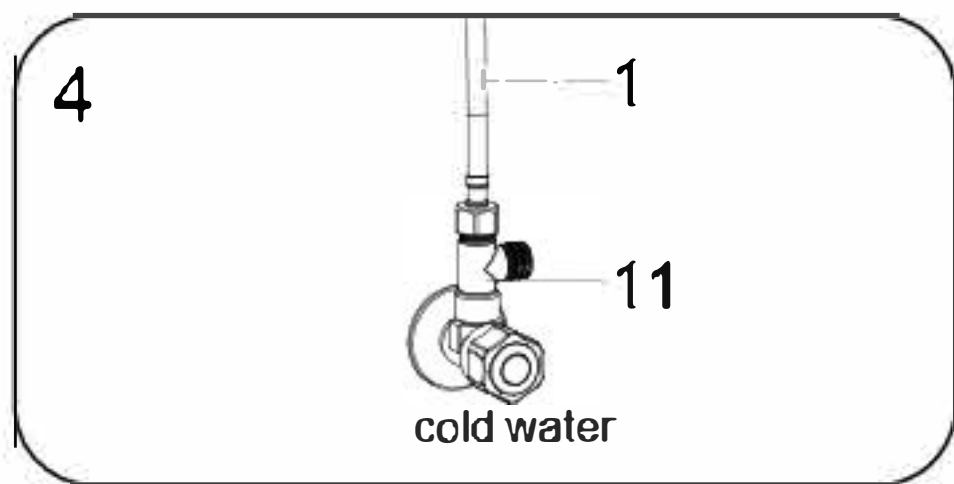
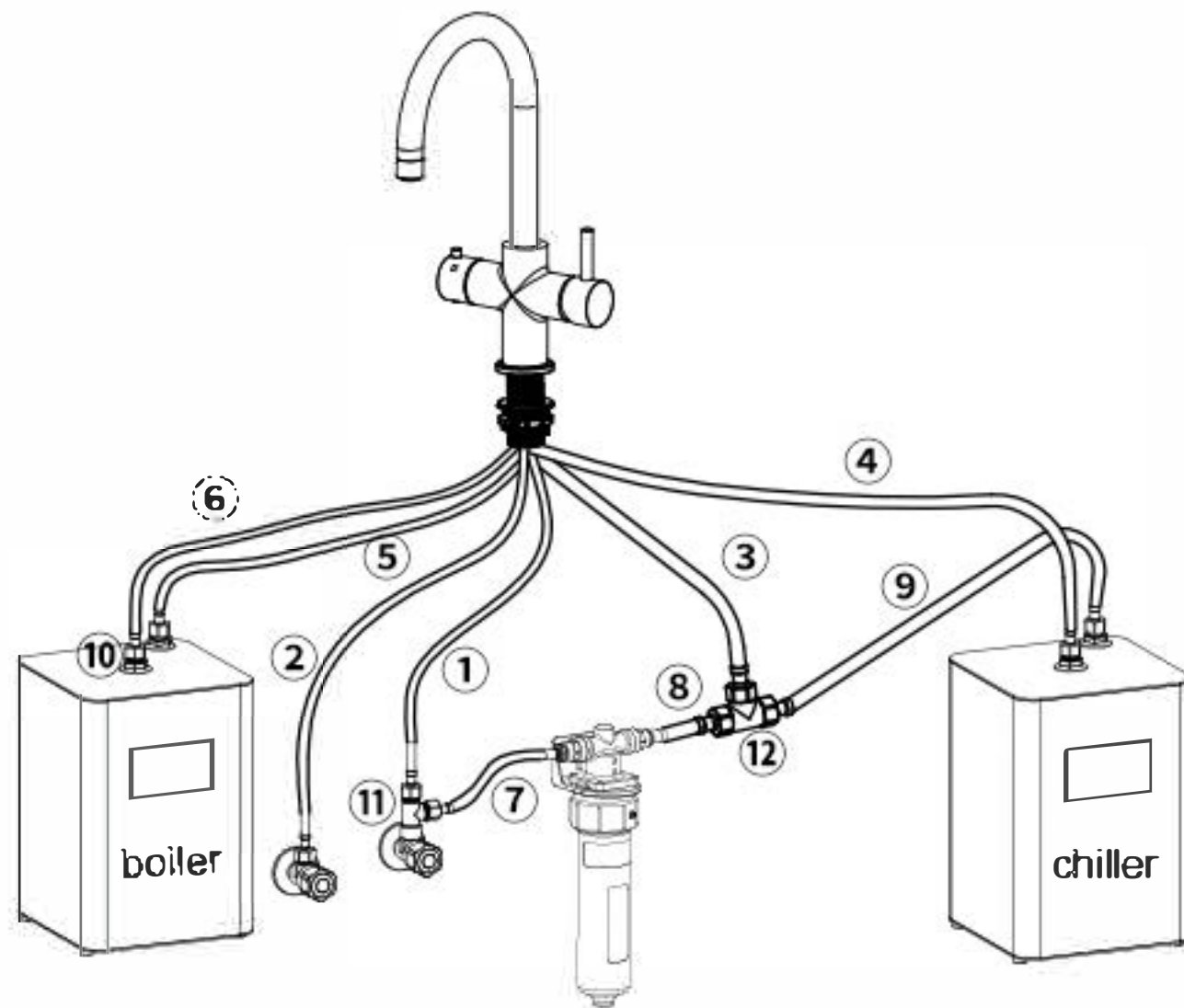
1. Put O ring(B) on the bottom of the tap, then put the four flexible hoses and one silicone tube through the sink hole.



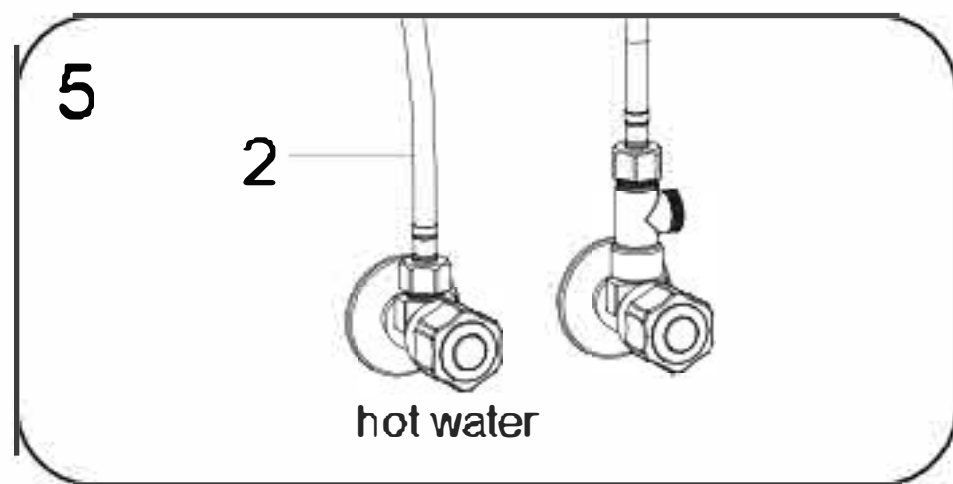
2. Put the rubber washer (C), metal washer (D), and fixing nut (E) through the hose in turn, fix them on the thread connector, tighten them by hands.



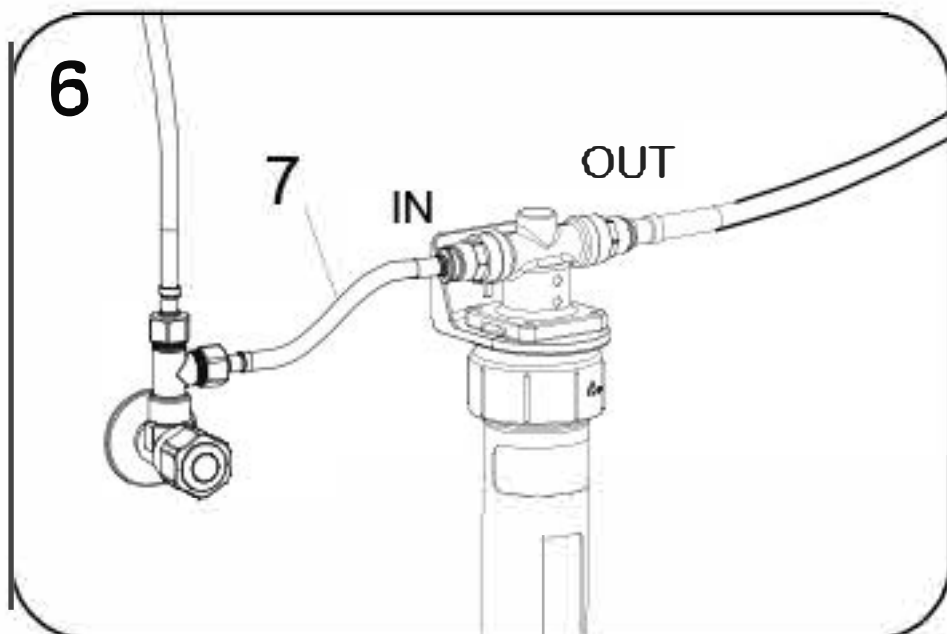
3. Use a cross screwdriver to tighten the two fixing screws.



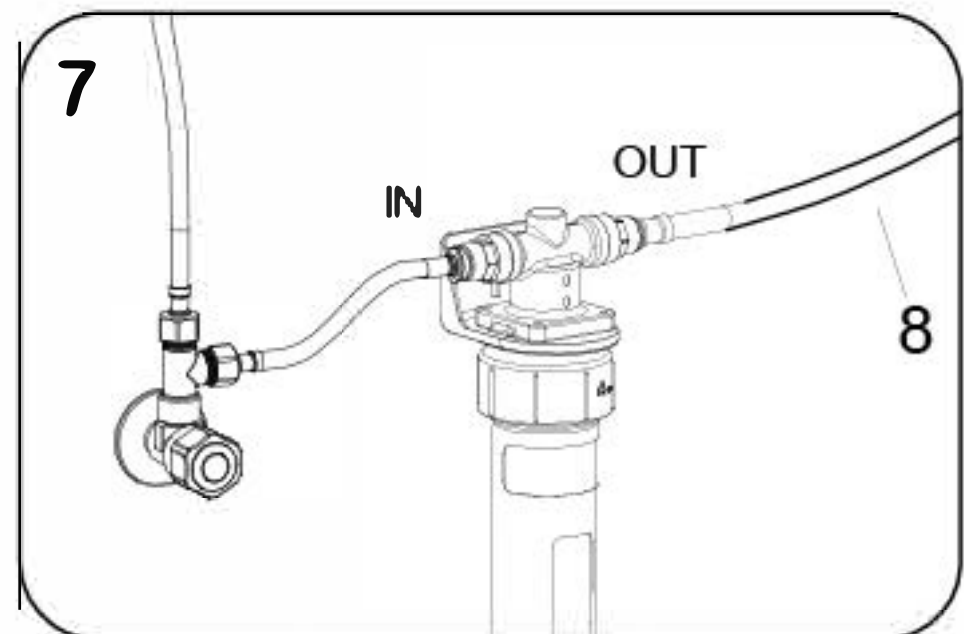
4. Connect the 3-way connector (11) to the cold water house valve. Then Connect the cold water inlet hose (1) to one side of the 3-way connector and tighten it with a wrench.



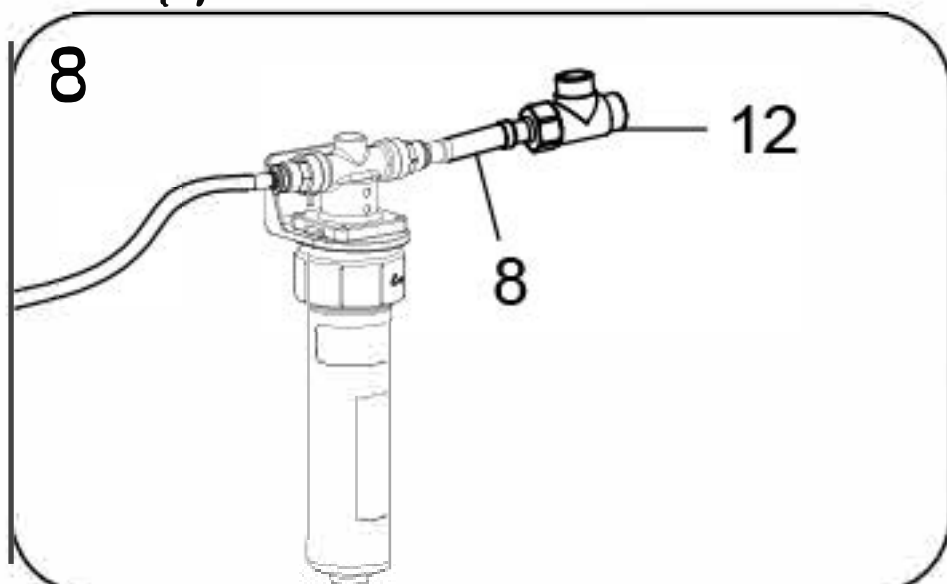
5. Connect the hot water inlet hose (2) to the hot water house valve and tighten it with a wrench.



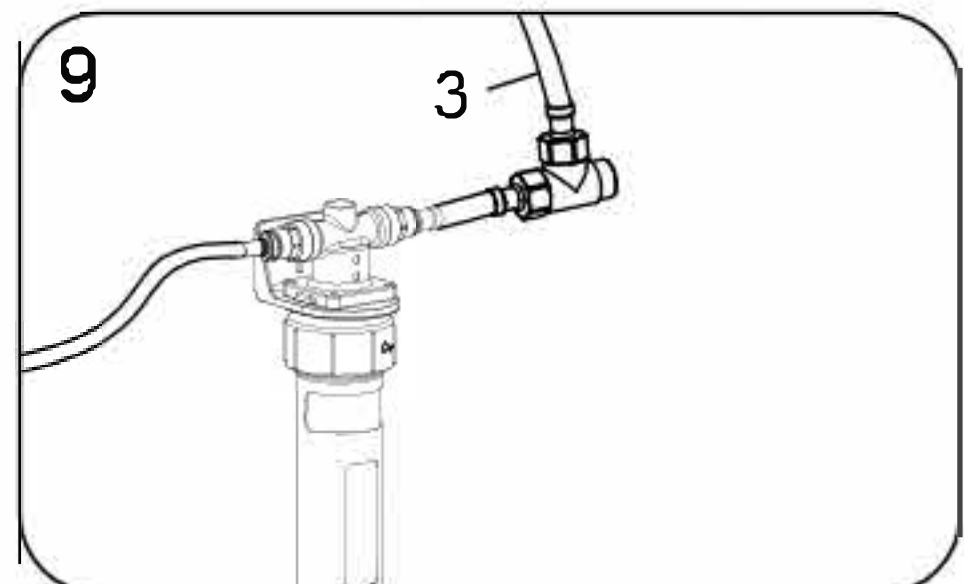
6. Connect the filtered water hose (7) to the 3-way connector and tighten it with a wrench, then insert the other end of the hose (7) into the filter's inlet.



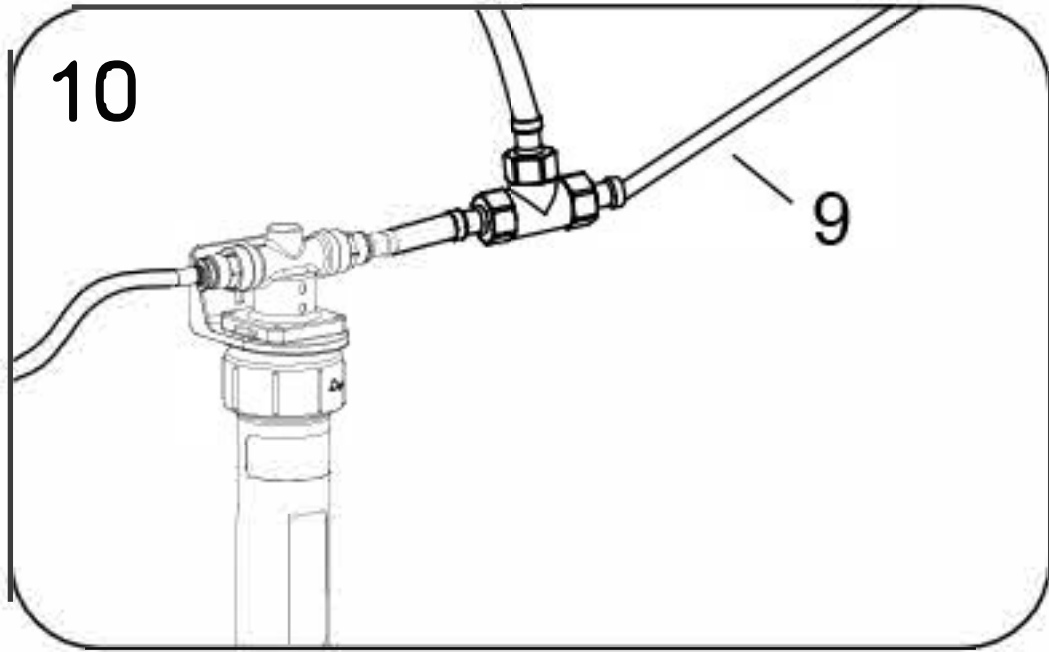
7. Insert the filter outlet hose (8) into the filter's outlet .



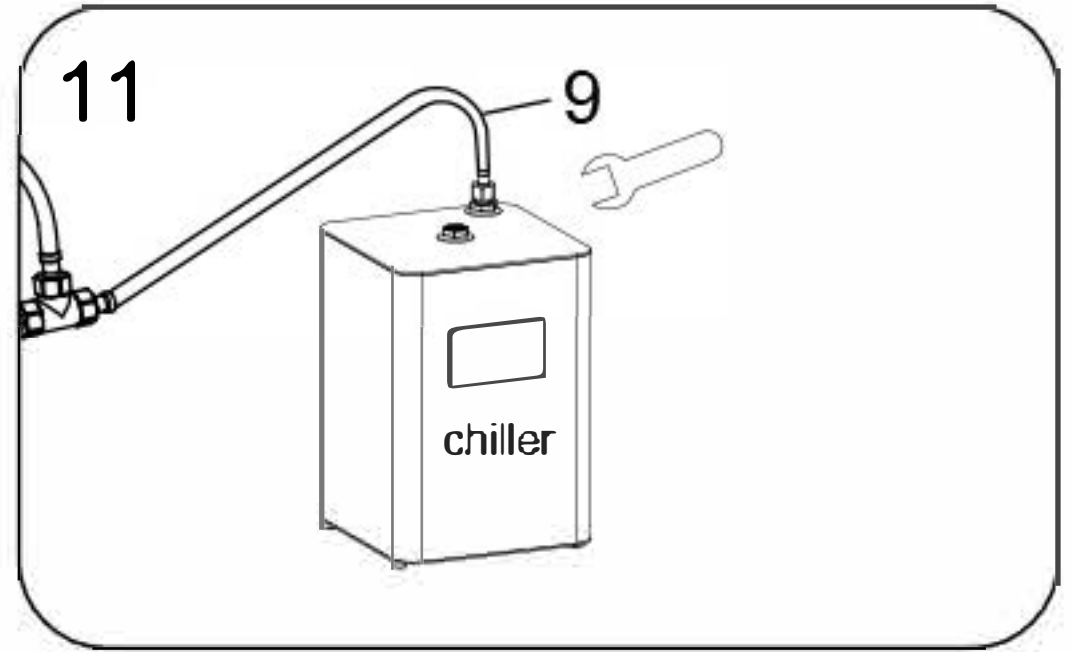
8. Connect the filter outlet hose (8) to one side of the 3-way connector (12) and tighten it with a wrench.



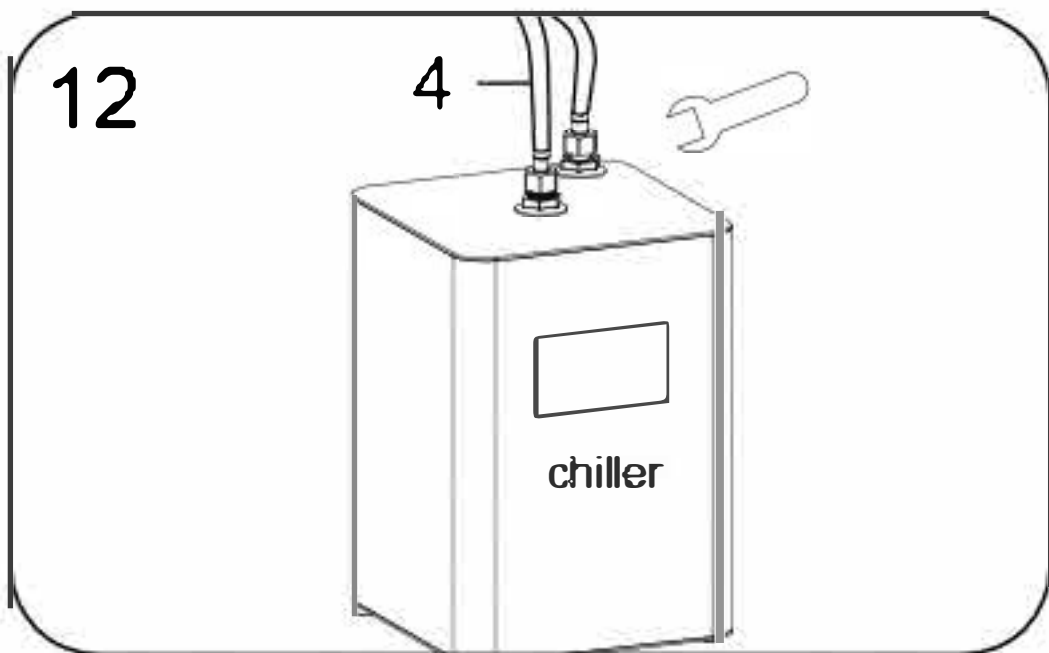
9. Connect the filtered water inlet hose (3) to one side of the 3-way connector, and tighten it with a wrench.



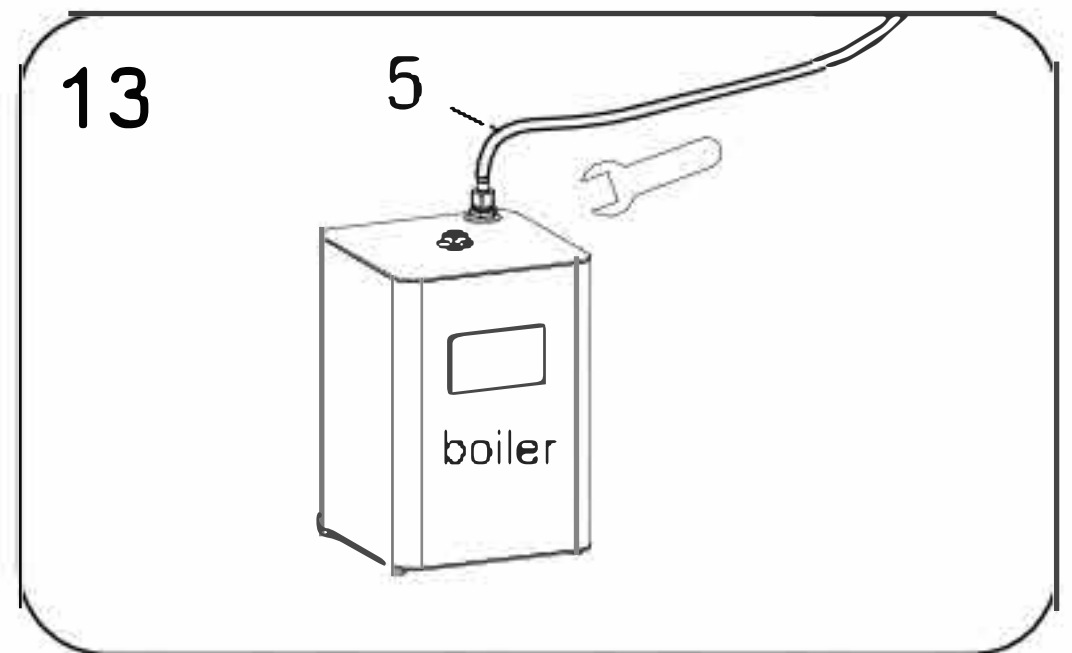
10. Connect the chilled water inlet hose (9) to the side of the 3-way connector, and tighten it with a wrench.



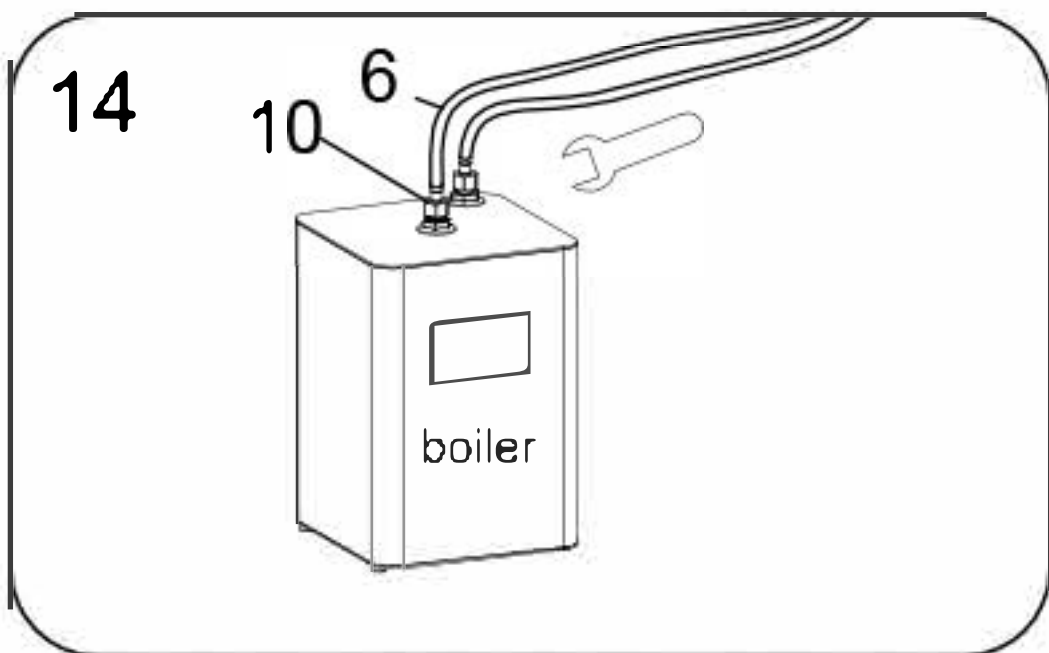
11. Connect the other end of the chilled water inlet hose (9) to the inlet of the chiller, and tighten it with a wrench.



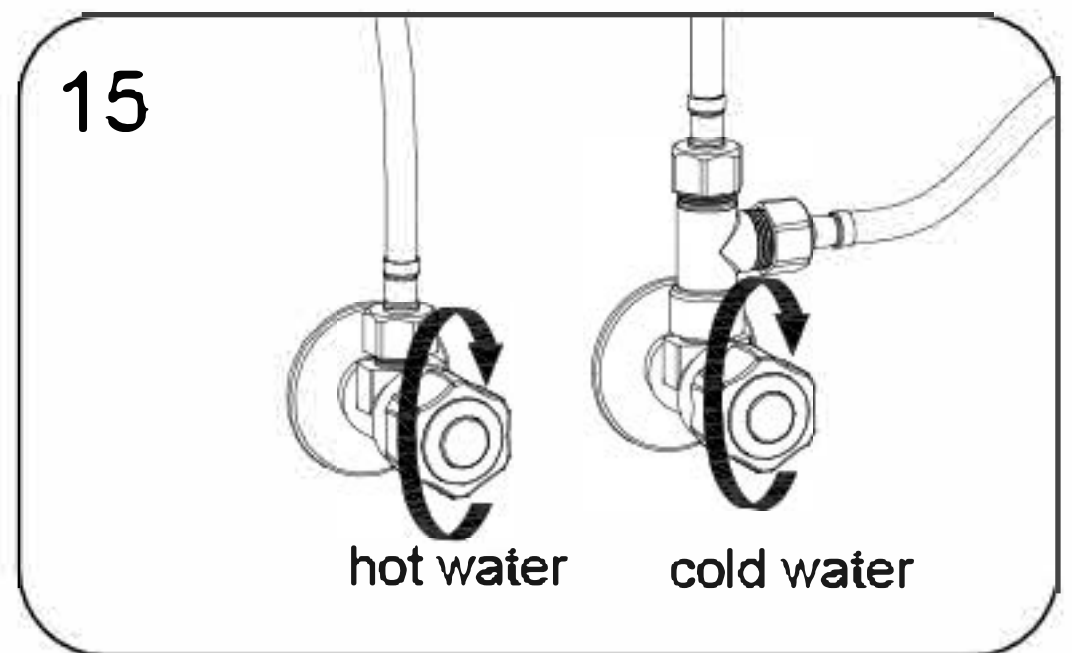
12. Connect the chilled water outlet hose (4) to the outlet of the chiller and tighten it with a wrench.



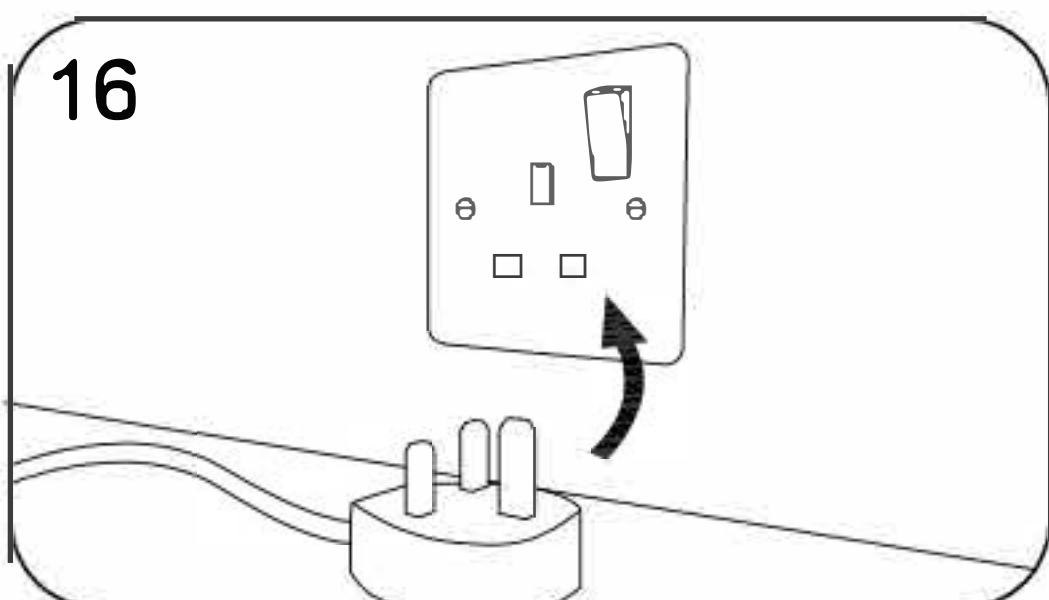
13. Connect the boiling water inlet hose (5) to the boiler's inlet and tighten it with a wrench.



14. Connect the boiling water silicone tube (6) and the silicone tube connector (10) to the outlet of the boiler, and tighten it with a wrench.

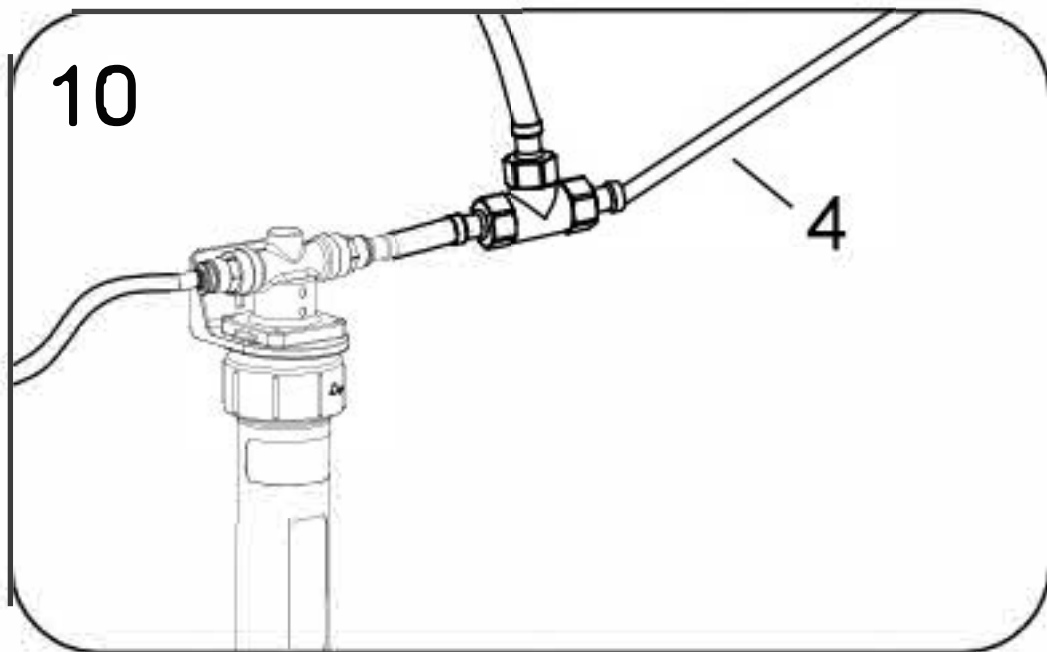


15. Turn on house valve for hot and cold water, check and ensure no leakage for each connection. Open the handle for boiling water and chilled water to full the water tank and exhaust air in the tank.

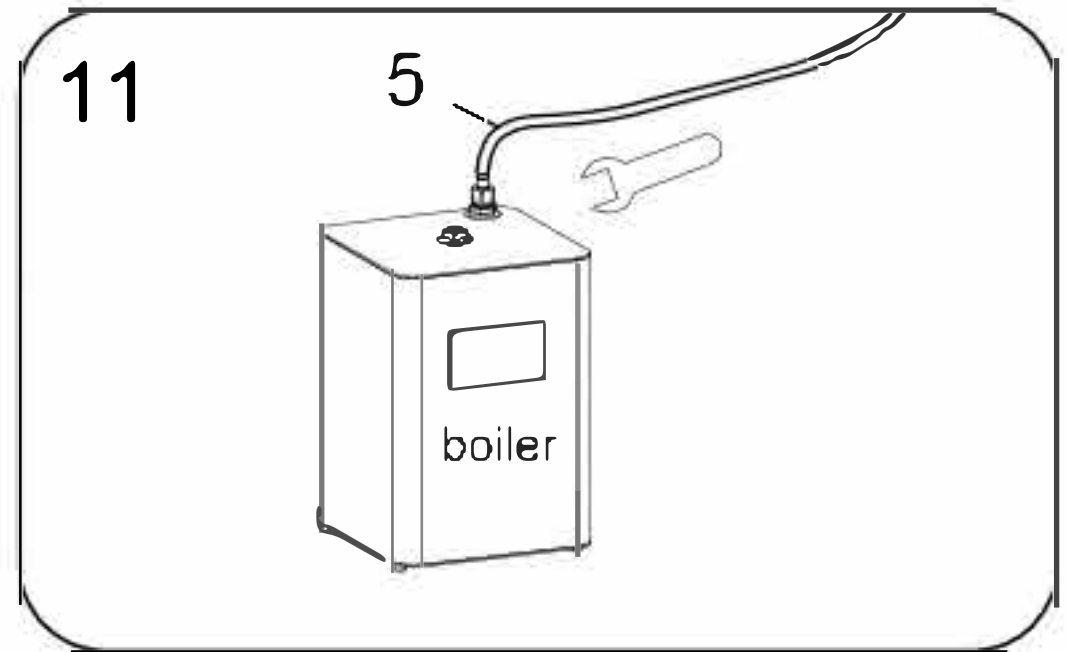


16. Insert the plugs of the boiler and chiller into the power socket, set according to the machine manual.

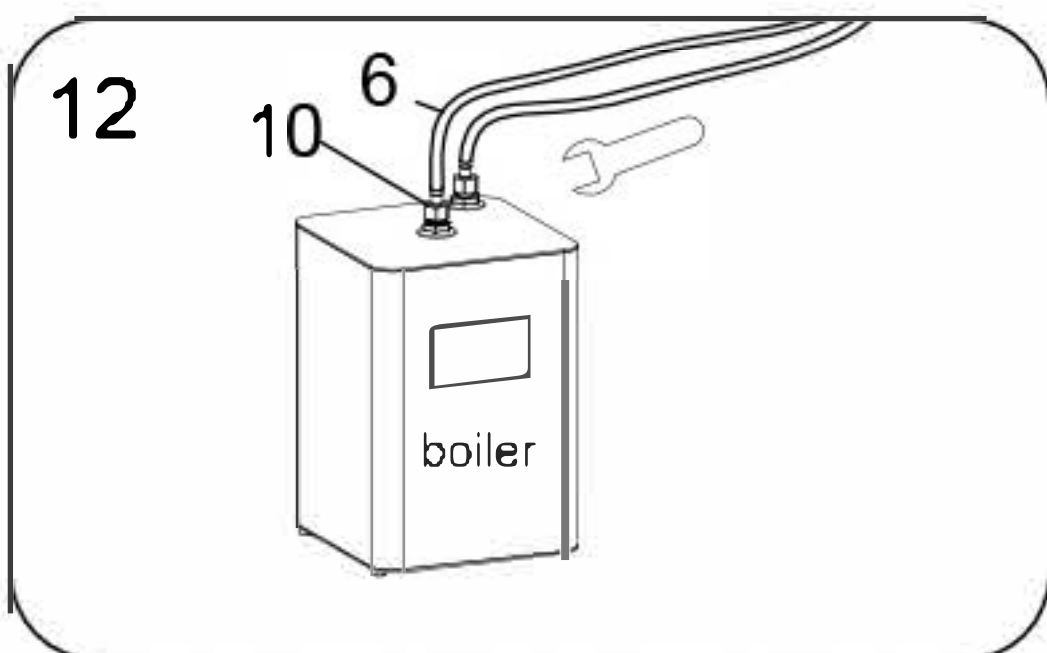
If you don't use a chiller, finish the 9 steps and follow the following steps to have normal temperature filtered water.



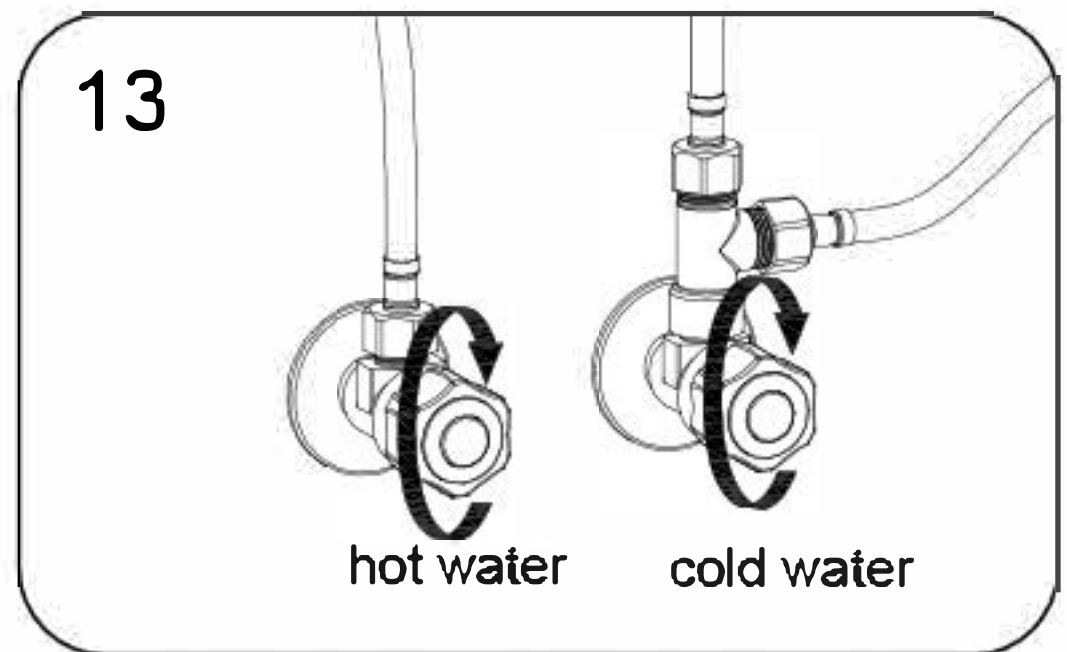
10. Connect the hose (4) to the side of the 3-way connector, and tighten it with a wrench.



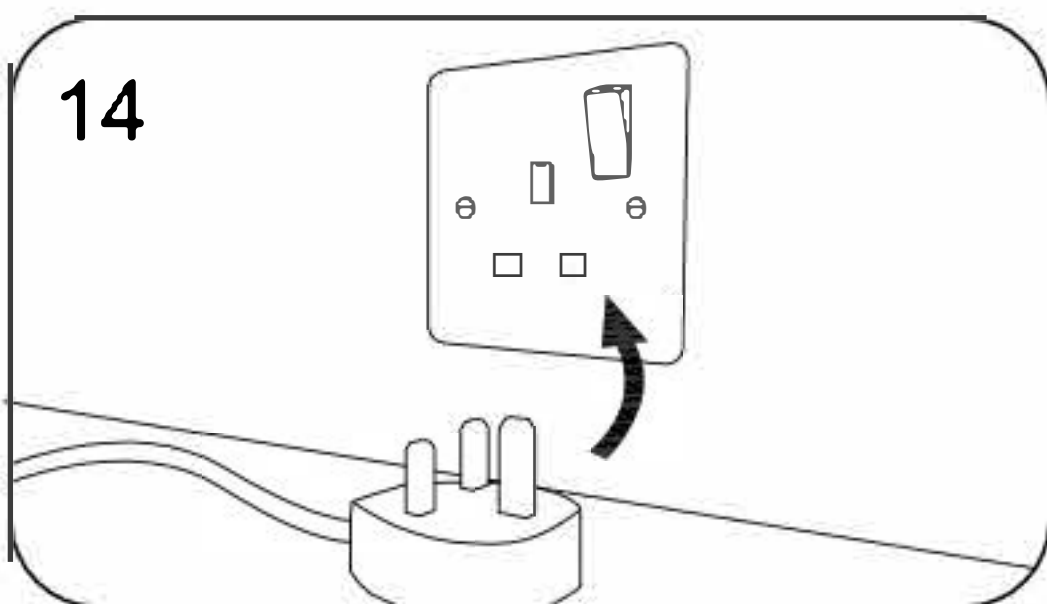
11. Connect the boiling water inlet hose (5) to the boiler's inlet and tighten it with a wrench.



12. Connect the boiling water silicone tube (6) and the silicone tube connector (10) to the outlet of the boiler, and tighten it with a wrench.



13. Turn on the house valve for hot and cold water, check and ensure no leakage for each connection. Open the handle for boiling water to full the water tank.



14. Insert the plugs of the boiler and chiller into the power socket, set according to the machine manual.