

# aquataps

THE FILTERED TAP COMPANY

CLASSIC MODEL

Video Guide



## Installation & User Guide

THE TAP FOR ALL

WELCOME TO YOUR BRAND NEW



aquatap **CLASSIC**

4 in 1 BOILING WATER TAP

## **IMPORTANT NOTICE:**

When correctly installed and maintained with care, your Aquataps boiling water tap will give you many years of trouble free service. **This product is not for outdoor use.** This product can cause harm if installed incorrectly. Should you decide to install this product yourself, please refer to the instructional videos or guide on our website. Alternatively, please contact a professional installation service.

**Please read and fully understand all installation instructions before installing and using this application. If in doubt contact a qualified plumber or retailer to assist.**

Check that no parts are missing or damaged. If parts are missing do not install and contact our customer services.

A standard 220/240v grounded 13 amp switched electrical outlet is required under the sink for the appliance electrical power. The Aquataps instant hot water tank is only intended for use with compatible Aquataps boiling water taps. Using this tank with any other tap will invalidate the warranty.

Do not plug in the tank until all water connections have been checked, is watertight and the tank has been filled. The tank is filled once water starts to pass out the tap spout when the boiling tap function is operated. It is recommended before using the tank, to flush through several litres of water to remove any air in the system when installing.

Please note, that in order to avoid having pressurised boiling water and to comply with UK byelaws, this is an open vented system. In order to ensure the instant hot water tank delivers the highest quality drinking water and is protected from limescale build up, the water filter must be replaced **every 6 months**. Failure to do so will invalidate your product warranty.

Filters can be purchased online at **[www.aquataps.co.uk](http://www.aquataps.co.uk)**.



- To prevent against electrical shock do not place the hot water tank near or in water or other liquids and install on a flat surface.
- Do not install in environments above 35°C or exposed to freezing.
- Do not operate or install electrical connections with wet hands
- Do not install the appliance if it appears damaged in any way
- Only use power lead supplied with the product. If the power lead is damaged, stop using immediately and contact customer services for a replacement.
- Do not remove tank casing, this product is not serviceable and should be returned to the manufacturer in the event of a fault.
- Do not modify the tank or remove the plug as this will invalidate the warranty and could cause serious injury. Design for UK 3 pin socket only.
- If the unit is unused for extended periods of time it should be unplugged, drained, re-filtered and refilled.
- The tap and water tank can be cleaned with a lint free damp cloth.
- Do not use any abrasive or corrosive cleaning products as this will damage the surface of the product.
- Replace the filter every 6 months



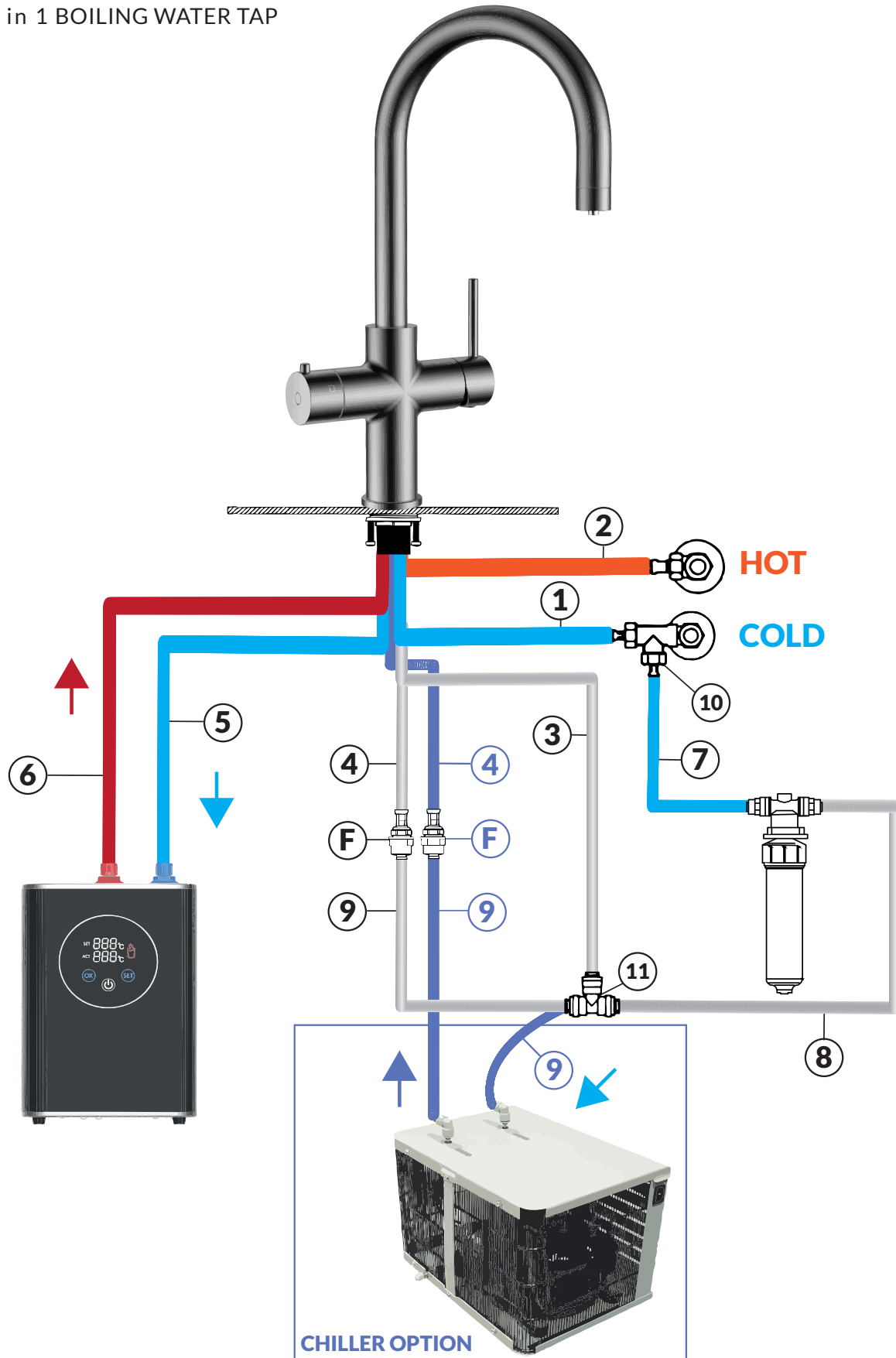
# aquatap **CLASSIC**

4 in 1 BOILING WATER TAP

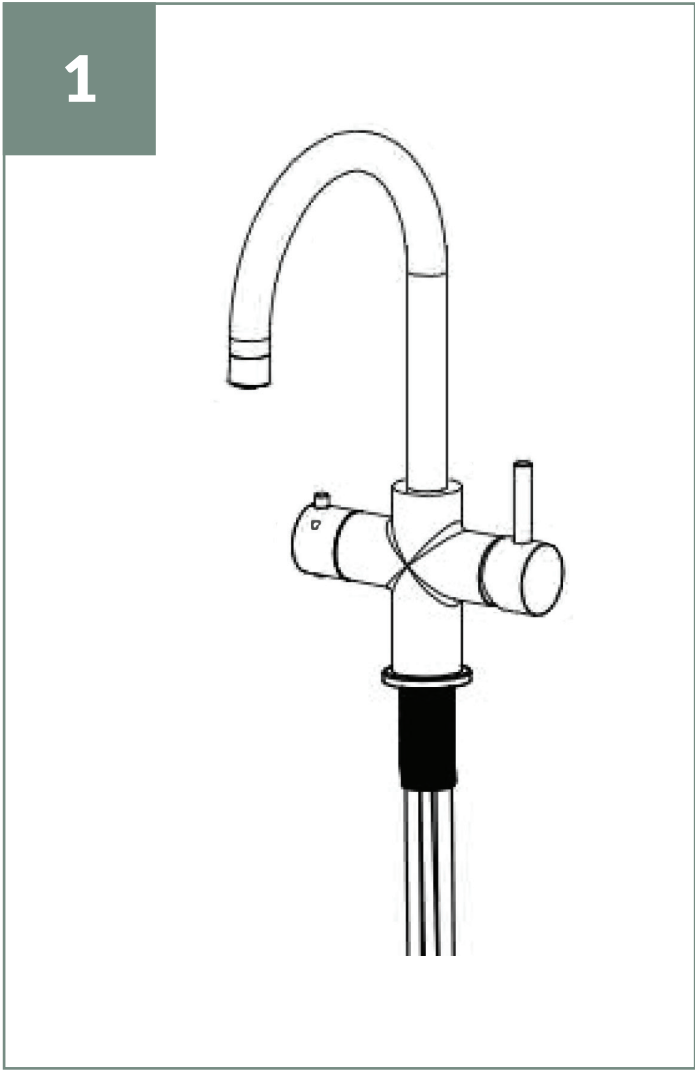
- |  |   |
|--|---|
| 1x <b>A</b> 4 in 1 Tap                       | 1x <b>4</b> Hose For Filtered or Chilled Water  |
| 1x <b>C</b> Rubber Washer                    | 1x <b>5</b> Hose For Filtered Water Into Boiler |
| 1x <b>D</b> Metal Washer                     | 1x <b>6</b> Hose For Boiling Water from Boiler  |
| 1x <b>E</b> Fixing Nut                       | 1x <b>7</b> Filter Inlet Hose                   |
| 1x <b>F</b> 1/2" to 1/4" push fit connector  | 1x <b>8</b> Filter Outlet Tube (3/8" PE Tube)   |
| 1x <b>1</b> Flexible Hose For Cold Water     | 2x <b>9</b> 1/4" PE Tube                        |
| 1x <b>2</b> Flexible Hose For Warm Water     | 1x <b>10</b> Metal T-Piece                      |
| 1x <b>3</b> Flexible Hose For Filtered Water | 1x <b>11</b> Plastic 3-Way Connector            |

# aquatap CLASSIC

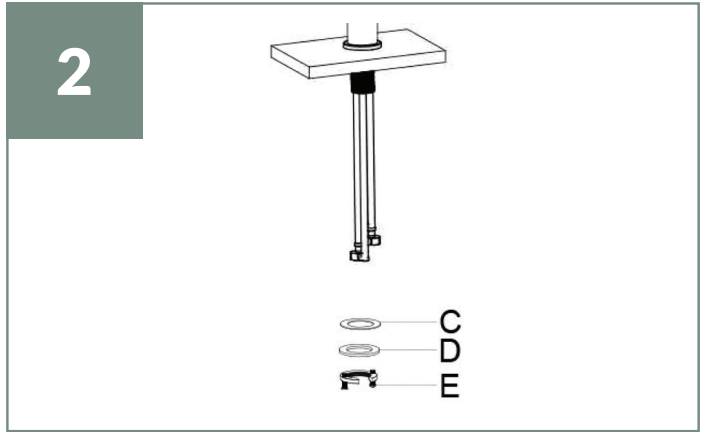
4 in 1 BOILING WATER TAP



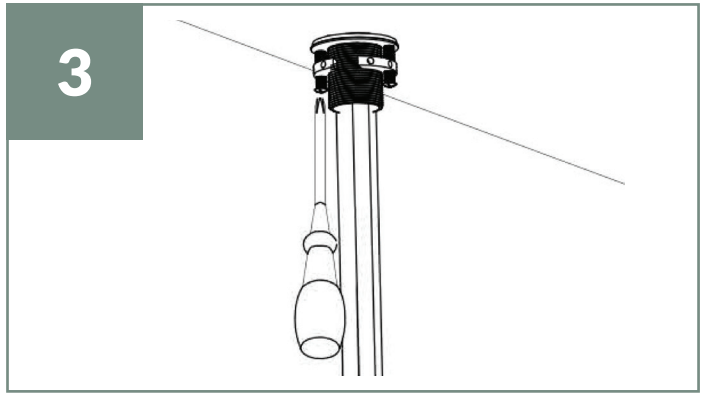
**TOP TIP:** Pass the 3 hoses with nuts through the surface hole first and then pass the 3 hoses without nuts to help with your installation.



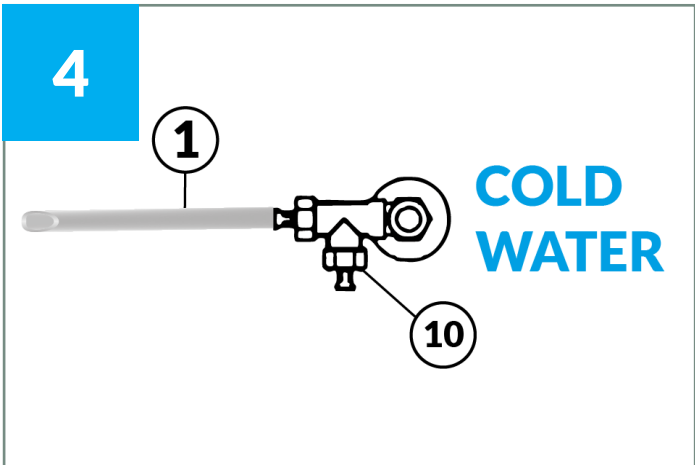
Remove the rubber washer (C), metal washer (D), and fixing nut (E) from the base of the tap. Then put all the flexible hoses through the tap hole.



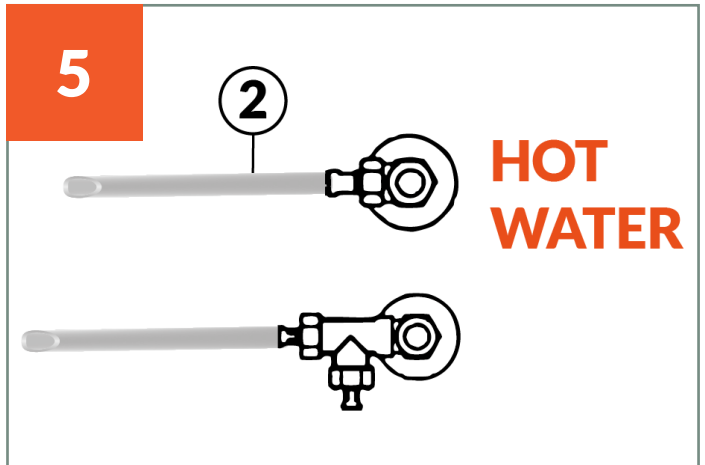
Put the rubber washer (C), metal washer (D), and fixing nut (E) back onto the tap by feeding the hoses through them. Fix them onto the thread at the base of the tap and tighten by hand.



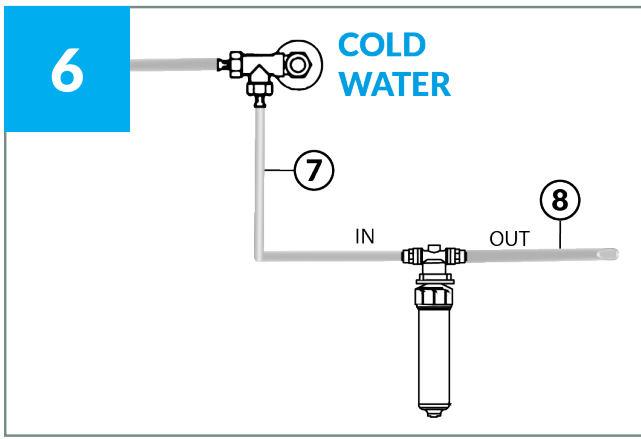
Use a philips screwdriver to tighten the two fixing screws.



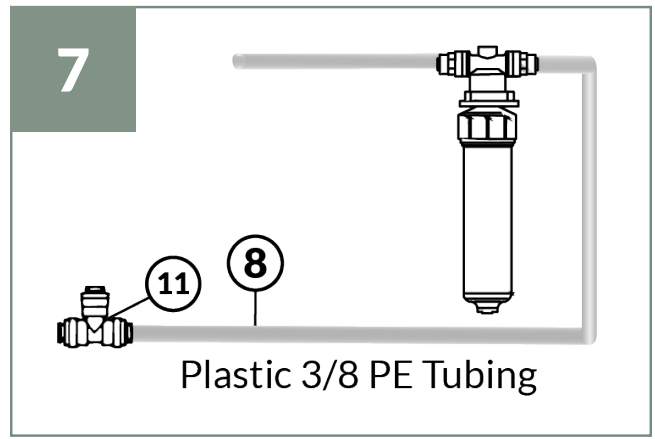
Connect the metal T piece (10) to your mains cold water supply. Then Connect the cold water inlet hose (1) to one side of the T piece and tighten it with an adjustable spanner.



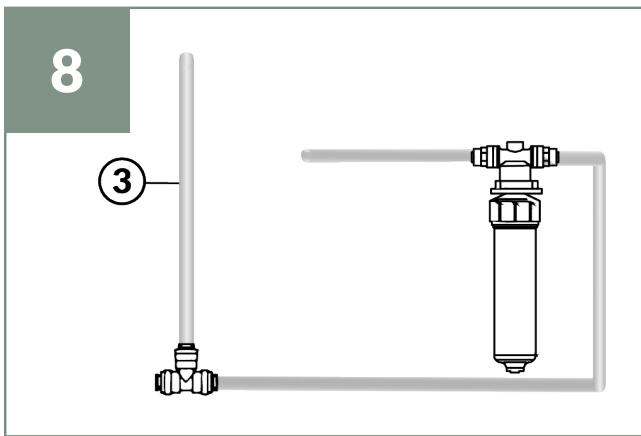
Connect the hot water inlet hose (2) to your mains hot water supply and tighten it with an adjustable spanner.



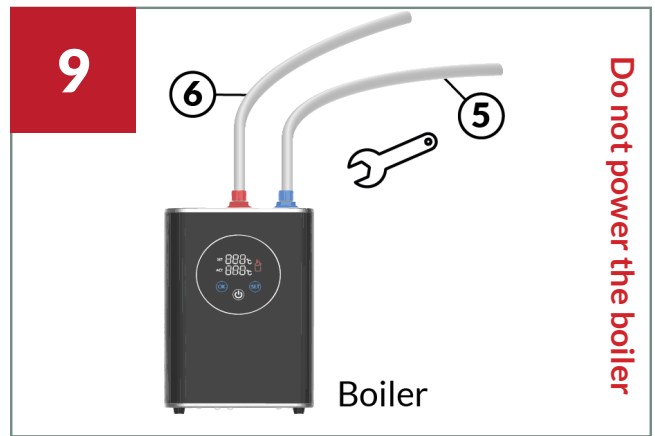
Connect hose (7) to the metal **T piece** on the cold mains and tighten it with an adjustable spanner. Insert the other end of the hose (7) into the filter's inlet. Insert the filter outlet hose (8, **plastic 3/8 PE tubing**) into the filter's outlet.



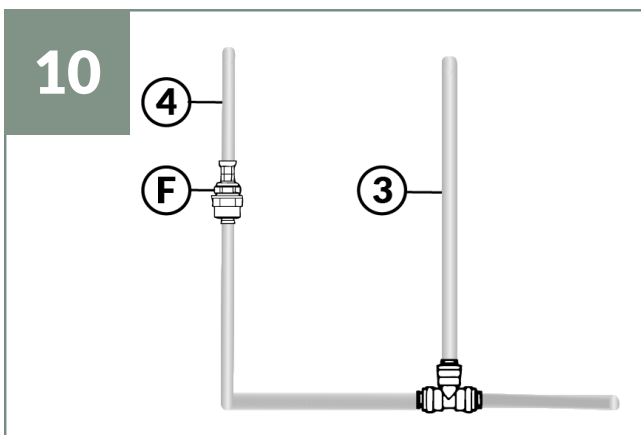
Connect the filter outlet hose (8) to one side of the **plastic 3-way connector** (11) by removing the blue clip first and then re-attach the clip to secure into place.



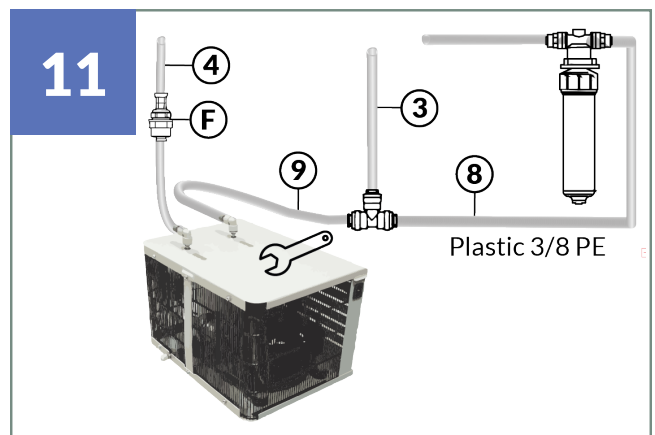
Connect hose (3) to the other side of the **plastic 3-way connector**, by removing the blue clip first and then secure by using the blue clip once attached.



Connect hose (6) to the outlet of the boiler (**Red**) Please make sure the rubber washer is in place first, hose (5) to the inlet (**Blue**) and hand tighten them. Using an adjustable spanner tighten further by a maximum of one turn. **Do not power the boiler at that stage.**



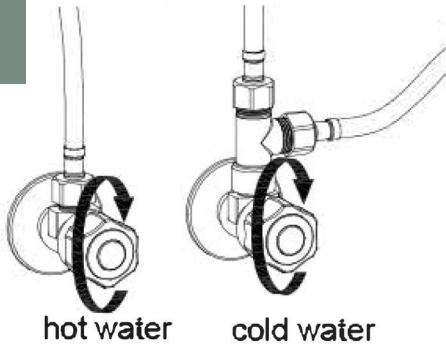
Connect hose (4) to the plastic 1/2" screw to 1/4" push fit connector (F). Insert one end of the 1/4 inch tubing to (F). **If you have a chiller now go to step 11.** Otherwise, connect the other end of the 1/4 inch tube (9) to the **plastic 3 way connector** and move to step 12.



If you are connecting a chiller unit, connect the other end of the **1/4 inch tubing** (9) that's connected to (F) to the water outlet of the chiller unit. Using another piece of **1/4 inch tubing** (9) connect one end to the **plastic 3 way connector** and other to the water inlet on the chiller.

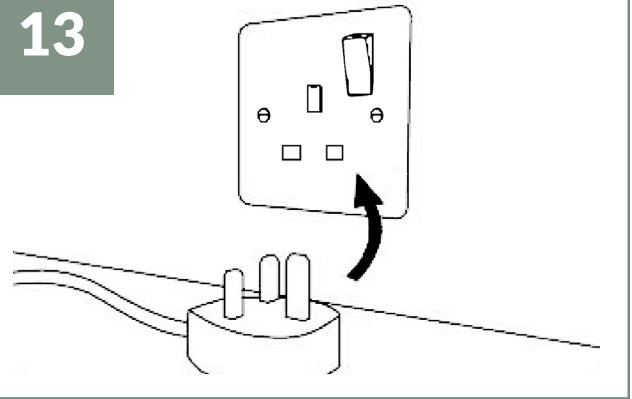


12



Turn on your mains hot and cold water, check and ensure no connections are leaking. Turn the handle for boiling water to fill the boiler. No water will come out of the tap until the boiler is full.

13

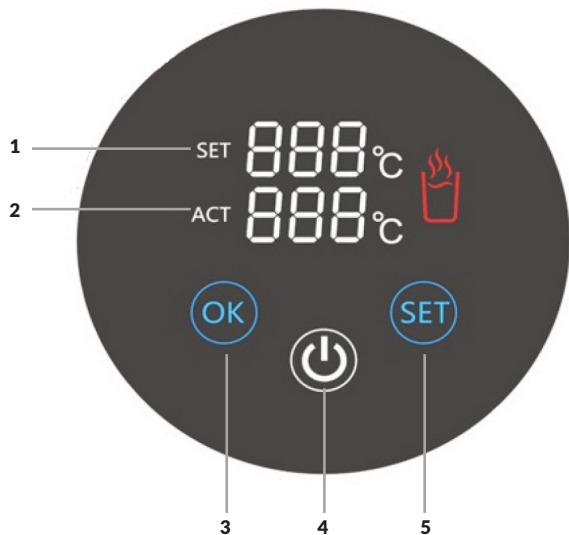


Insert the plugs of the boiler ( and chiller if installed together) into the power socket and **switch on.**

# aquatap CLASSIC

## Boiling Water Tank

### OPERATION INSTRUCTIONS - INSTANT HOT WATER TANK



1. Set Temperature
2. Actual Temperature
3. 'OK' Button
4. Power Button
5. 'Set' Button to adjust temperature

### INSTRUCTIONS:

- (i) Fill the boiler with water by running the boiling water side on the tap
- (ii) Press and hold the power button (4) for **three seconds**
- (iii) The LCD ring around the outside will now illuminate

NOTE: Using the + and - buttons of the screen, the tank can be preset to 55°C, 65°C, 75°C, 85°C, 90°C, 95°C, 96°C, 97°C or 98°C.

# aquatap CLASSIC

## TROUBLESHOOTING

Problem	Likely Fault(s)	Solution
The water isn't hot when using the boiling water function	Tank not plugged in properly; temperature set too low on boiler; possible electrical fault in the socket	Ensure plug is securely inserted in socket, check socket for damage, verify boiler temperature settings and adjust if needed
The flow of water seems restricted	Pipes may be pinched or kinked; water pressure too low or too high; filter nearing end of life and causing restriction	Inspect pipes for bends or kinks, check pressure gauge to ensure it is within 1.5-5.0 bar range, replace filter if indicator light shows red
The tap is spitting or dripping water when not in use	Restriction or kink in tubes; trapped air in system causing pressure changes	Examine tubes for restrictions or pinching, run the tap to expel air pockets; replace boiler tank if spitting persists
The tap is spitting or dripping water when in use	Excessive air trapped in boiler; temperature setting too high, causing boiling; water pressure too high	Run tap until air pockets clear; reduce boiler temperature if boiling occurs during use; seek plumber assistance to adjust pressure if needed
There's water in the cabinet where my boiler is stored	Loose connections in water supply lines; leaking tank; faulty or leaking tap; possible wear in connectors	Turn off all sockets, inspect supply lines and tank for leaks, tighten any loose connections, replace faulty parts as necessary
My boiling water tap is not dispensing water	Filter is blocked and reducing water flow; water supply issue; tank not powered on due to faulty socket	Check and replace filter if blocked; test other taps in home for water flow, verify tank power is on; consult electrician if socket issue suspected
The tap is making a lot of noise	Limescale build-up inside tank; trapped air in the system; possible internal component fault	Descale tank to remove limescale build-up; run tap to release trapped air; contact support if noise persists after cleaning
The water from the tap is cloudy	Air bubbles forming due to pressure; potential filter issue affecting water clarity; water quality concern	Wait for cloudy water to settle; if water remains cloudy, replace filter and consult local water authority for water quality concerns
The tap's water temperature fluctuates	Boiler thermostat malfunction; temperature settings fluctuating; possible issue with the control board	Check boiler temperature settings; if unstable, reset or recalibrate thermostat; seek specialist assistance if control board issue suspected

aquataps  
THE FILTERED TAP COMPANY

## **CUSTOMER CARE**

Tel: 01268 727823

Email: [info@aquataps.co.uk](mailto:info@aquataps.co.uk)

[www.aquataps.co.uk](http://www.aquataps.co.uk)